

## Remote Access Interface Single AC Outlet with Circuit Breaker

### Features:

- UL approved outlet and circuit breaker
- IP65 rating with locking dust cover
- Robust aluminum housing



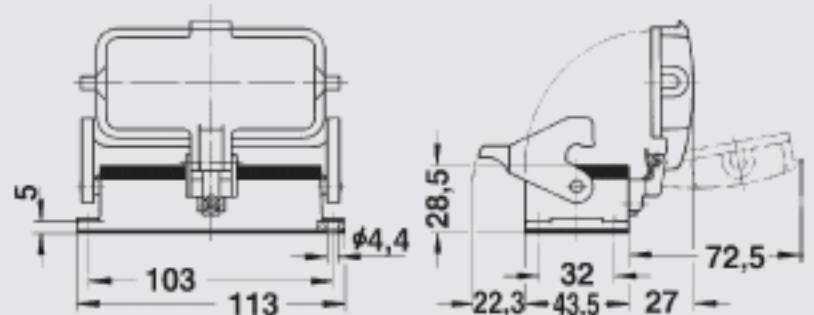
### Connector Specifications, Circuit Breaker :

Current Rating:	1,2,3,4,5,6,7,8,9,10,12,15,16,20,24,25 or 30 Amp
Trip Curve:	DC Medium
Voltage:	240Vac, 80Vdc

### AC Outlet Technical Data:

Ratings IEC:	15 A / 250 VAC; Hz
Ratings UL/CSA:	15 A / 125 VAC; 60 Hz
Allowable Operation Temp.:	-25 °C to +60 °C
Material:	Housing Thermoplastic, black

### Housing Dimensions(mm):



\*Other circuit breaker variations are available. Call 877-650-5160 to learn more